

Geco Hose Reels

Geco Hose Reels are New Zealand made, fabricated from steel, then zinc plated and electro-plated for protection.

A range of models depending on your requirements, the length and diameter of hose. Low pressure brass or high-pressure stainless-steel swivel are available at an additional cost.



Capacity of GECO Hose Reels in Metres
Table assumes hose in neatly coiled and not randomly wound.

In practise use 80% of these figures

HOSE OD (mm)	MINI	MAXI	MEGA	MINI MEGA
13	134	201		
14	130	191		
15	107	160		
16	102	149	236	
17	81	122	196	
18	76	118	160	
19	64	93	153	
20	59	89	147	
21	48	72	124	
22	44	69	117	
23			110	36
24			90	32
25			85	32
26			85	32
27			62	29
28			62	29
29			57	20
30			58	20
31			58	18
32			39	18
33			37	18
34			37	18
35			37	18
36			36	15
37			36	15



Brass Swivel - 90 deg elbow

3/8" & 1/2" (10 and 13mm) Low Pressure (Up to 1000 psi working).

3/4" & 1" (19 and 25mm) Low Pressure (Up to 750 psi working).

Sizes: 3/8", 1/2", 3/4", 1" (10, 13, 19 and 25mm)

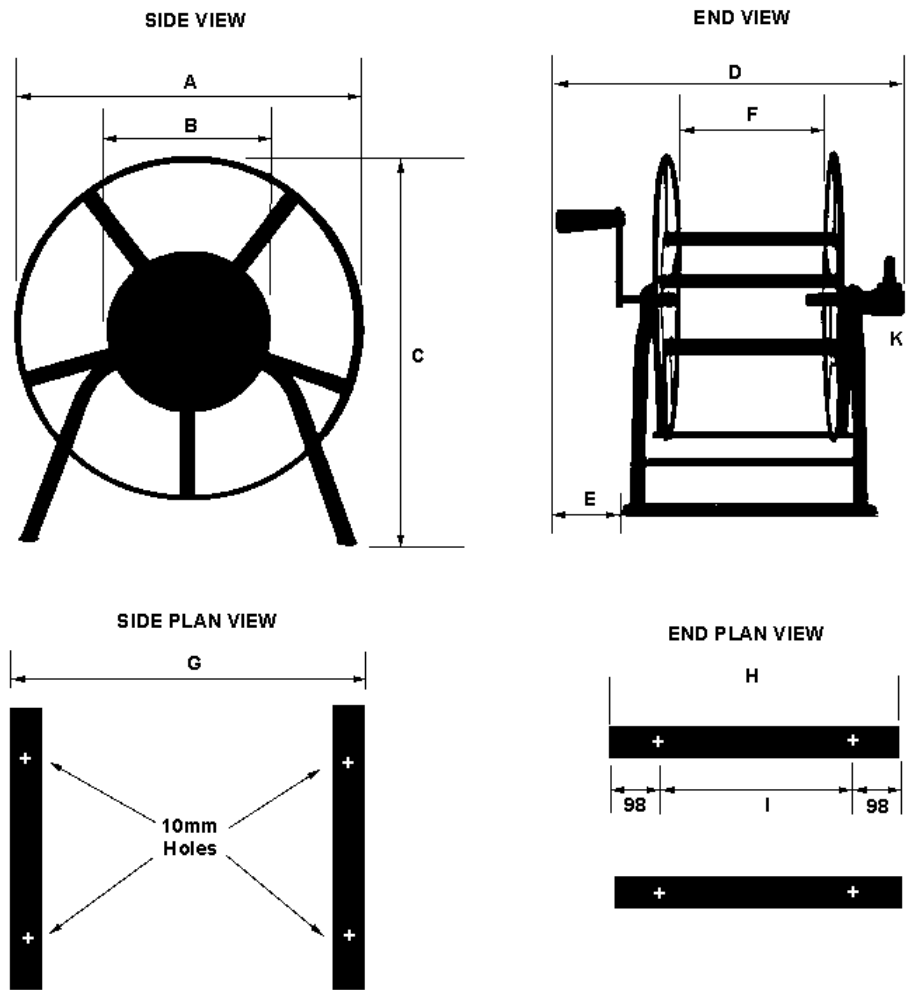


Stainless Steel Swivel - 90 deg elbow

High Pressure (Up to 4,000 psi working). Male BSP Tapered fitting on external side of swivel.

Sizes: 3/8" & 1/2", (10 and 13mm)

Geco Hose Reels



DIMENSIONS FOR GECO INDUSTRIAL HOSE REELS
refer to dimensions diagram below

Dimensions	A	B	C	D	E	F	G	H	I	K (Swivel)
MINI	440	150	475	560	90	210	455	450	252	3/8" or 1/2" Brass or Stainless
MINI MEGA	440	250	495	560	90	210	455	450	252	3/4" or 1" Brass or Stainless
MAXI	440	150	475	650	90	315	455	560	362	3/8" or 1/2" Brass or Stainless
MEGA	550	250	620	670	140	315	540	440	244	3/4" or 1" Brass or Stainless